

Description : Alkaline Zinc - Manganese dioxide mercury-free button cell

Chemical system : Zinc-Manganese Dioxide

Nominal voltage : 1.5Volts

Nominal capacity : 110mAh

Dimensions : Ø11.60mm x 5.4mm

Average weight : 1.7 grams

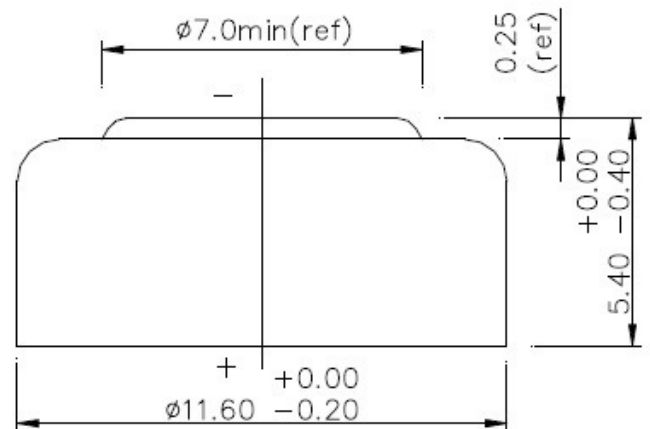
Operation temperature: 0°C - 45°C

Storage temperature : 10°C ~25°C

Shelf life : 3 years at room temperature

Model no.: **A76F / A76FX**

Ultra

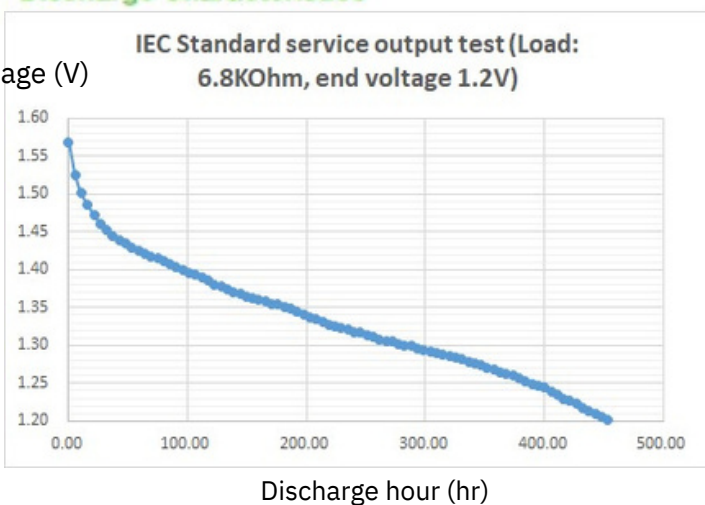


Unit: mm

Cross References:

IEC	JIS	ANSI	Varta
LR44	A13	1166A	LR44

Discharge Characteristics



The information (subject to change without prior notice) contained in this document is for reference only and should not be used as a basis for product guarantee or warranty. For applications other than those described here, please consult your nearest GP Sales and Marketing Office or Distributors.