

GP Batteries

Data Sheet

Rechargeable Nickel Metal Hydride Battery

Model: GP17R8H

Revision History

| Revision | Date | Initiator | Change Description |
|----------|------------|-----------|--------------------|
| 13 | 2014-10-28 | DT Yu | 1.New form |

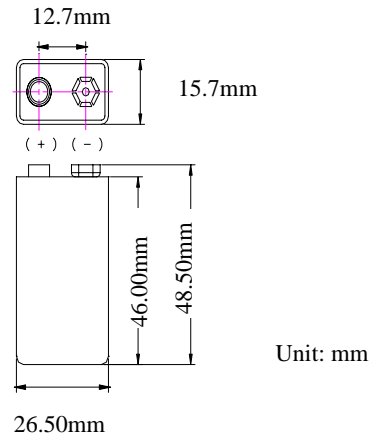
| Prepared by | Checked by | Approver |
|------------------|------------------|-----------------|
| RD Engineer | RD Manager | SM |
| DT Yu | Ling Guan | Vivian Fong |
| Date: 2014-10-28 | Date: 2014-10-28 | Date:2014-10-28 |

GPI International Limited

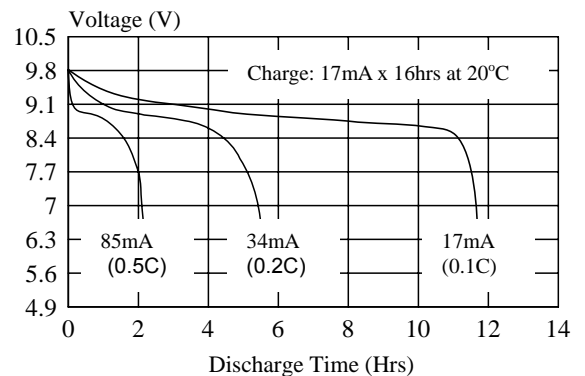
Gold Peak Building, 8/F, 30 Kwai Wing Road,
Kwai Chung, New Territories, Hong Kong.
Tel: (852) 2484 3333 Fax: (852) 24805912
Email: gpii@goldpeak.com
Website: <http://www.gpbatteries.com>

Model No.: GP17R8H

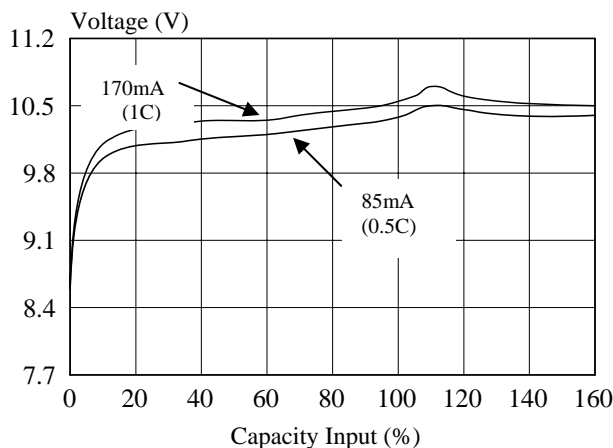
| | |
|--|--|
| Type | : Rechargeable Nickel Metal Hydride Cylindrical Cell |
| Nominal Dimension (with Sleeve) | : 15.7mm(l) x 26.5mm(w) x 48.5mm(h) |
| Applications | : Recommended discharge current 17 to 510mA |
| Nominal Voltage | : 8.4V |
| Capacity | : Nominal: 170mAh Minimum: 170mAh Typical: 175mAh When discharged at 34mA to 7.0V at 20°C |
| Charging Condition | : 17mA for 16 hrs at 20°C |
| Fast Charge | : 85mA to 170mA (0.5 to 1C) charge termination control recommended control parameters: -ΔV : 0-5mV **DT/dt : 0.8°C/min (0.5 to 0.9C) 0.8 - 1°C/min (1C) **TCO : 45 - 50°C **Timer : 105% nominal input (for ref. only) |
| Service Life | : >500 cycles (IEC standard) |
| Continuous Overcharge | : 17mA maximum current for 1 year. No conspicuous deformation and/or leakage |
| Weight | : 32.0g |
| Internal Resistance | : Maximum 2000mΩ upon fully charged at 1000Hz |
| Max. Charging Voltage | : 10.5V at 17mA charging |
| Ambient Temperature Range | : Standard Charge : 0 to 45°C Fast Charging : 10 to 45°C Discharge : -20 to 50°C Storage : -20 to 35°C |



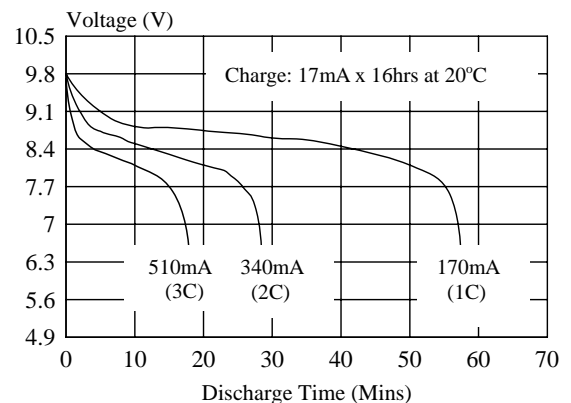
Low Rate Discharge



Fast Charge (Charge control required)



High Rate Discharge



The information (subject to change without prior notice) contained in this document is for reference only and should not be used as a basis for product guarantee or warranty. For applications other than those described here, please consult your nearest GP Sales and Marketing Office or Distributors.