

GP Batteries

PRODUCT SPECIFICATION

GP USB Car Charger
Model Nos.: CC22

Revision History

Revision	Date	Initiator	Reason for Change
00	14 November 2014	Simon Ma	New Release

Prepared By	Approved By
Simon Ma	
Date: 14 November 2014	Date: 14 November 2014

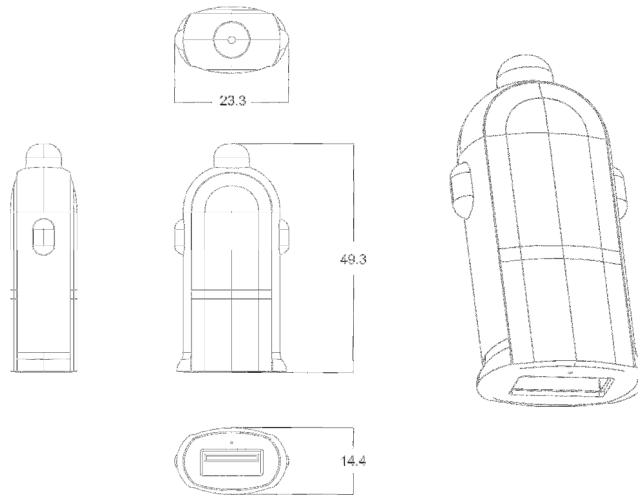
GPI International Limited

Gold Peak Building, 8/F, 30 Kwai Wing Road,
Kwai Chung, New Territories, Hong Kong.
Tel: (852) 2484 3333 Fax: (852) 24805912
Email: gpii@goldpeak.com
Website: <http://www.gpbatteries.com>

GP Batteries

Product Specification

Model no.: CC22



Unit : mm

Product Name	: GP USB Car Charger CC22
Description	: 1 x USB Car Charger
Application	: Charge electronic device via USB output port
Input voltage & current	: 12-24VDC, 1A Max
Number of USB port	: 1
USB output voltage & current	: 5V DC, 2.4A
USB output power	: 12W
Over voltage protection (OVP)	: Yes
Over current protection (OCP)	: Yes
Short circuit protection (SCP)	: Yes
Over temperature protection (OTP)	: Yes
Operation Temperature	: -0°C to 40°C
Storage Temperature	: -40°C to 70°C
Product dimension	: 49.3 (L) x 14.3 (W) x 23.3 mm (H)
Weight	: 10.2g (approx.)
Approval	: CE
Compliance	: EMC, ROHS, REACH
Warranty Period	: 12 months from ex-factory date